

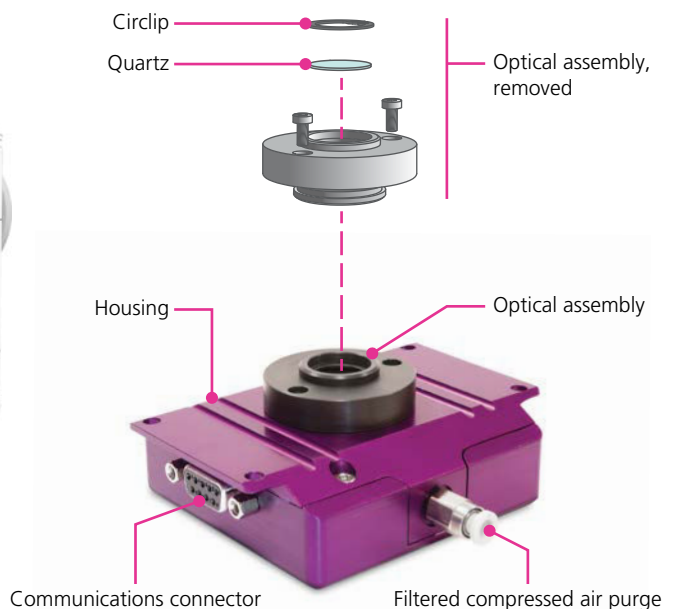
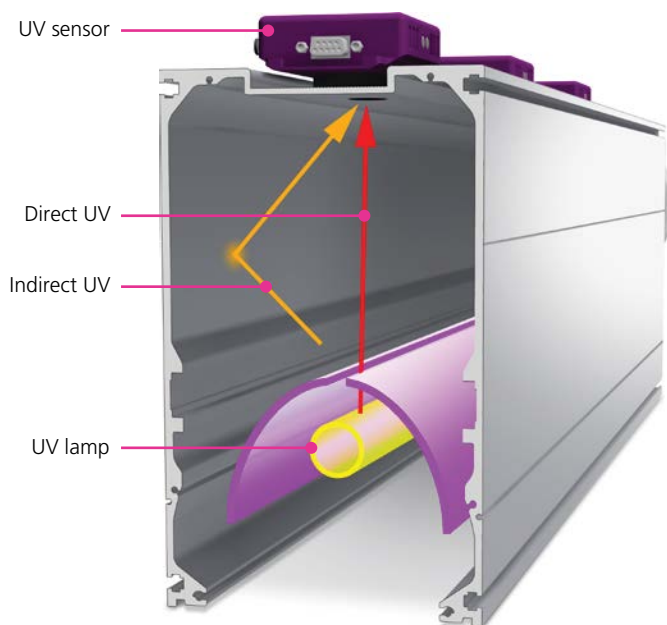
GEW mUVm

MULTI-POINT UV MONITORING

Effective ink curing depends upon a guaranteed output from the UV lamp and reflector system. GEW's mUVm is a set of one or up to five UV sensors which give continuous monitoring of the output of a UV lamp.

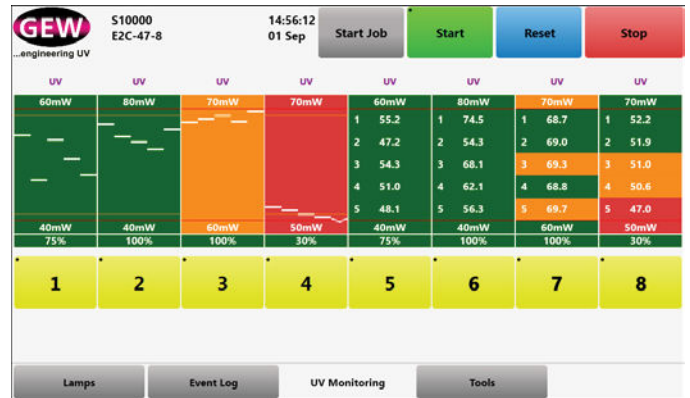
A simple user interface displays the UV output of the lamps on GEW's touchscreen and alarms can be set to warn when it gets too low or too high. With up to five sensors per lamp monitoring once a second, unprecedented control over the UV curing process can be achieved.

- Easily see when UV lamps reach end of life
- Attain 100% UV inspection for every batch
- Improve compliance to European food contact packaging regulations



Technology benefits

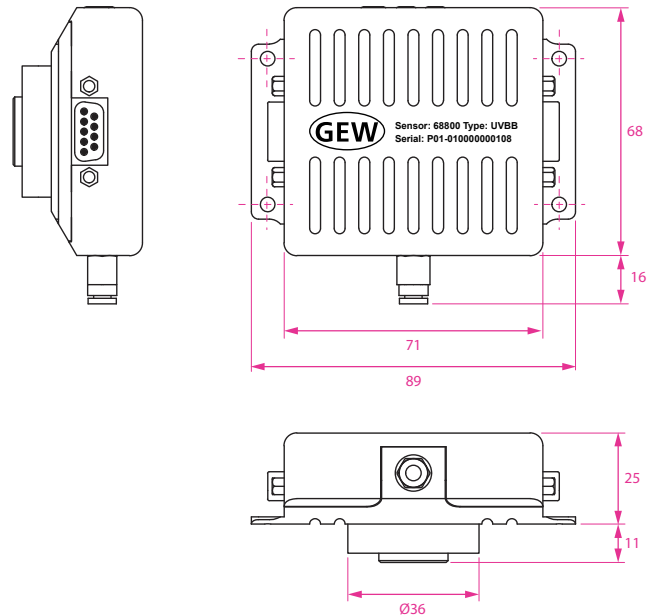
- Accurate UV outputs determine when to change lamps to extend their life
- Save energy by reducing lamp running power without risking undercured product
- Create a UV curing certificate for every batch by recording live UV outputs for every lamp
- Designed to comply with European legislation on food contact packaging:
 - Framework Regulation (EC) 1935/2004 article 3
 - Good Manufacturing Practice Regulation (EC) 2023/2006
 - Plastics Regulation (EU) 10/2011
 - Swiss Ordinance SR 817.023.21



UV intensities for each lamp can be displayed in graphical or tabular form. Traffic light colouring warns when a lamp is approaching or exceeding set points.

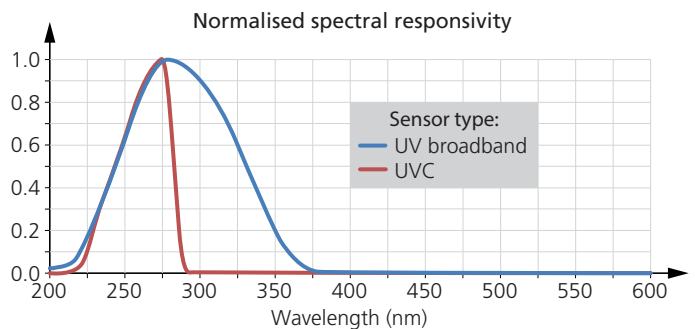
Technical details

- Unique calibration for every sensor (serialised & traceable to PTB standards)
- Recommended operating conditions: 5 to 40°C, 0 to 80% relative humidity, non-condensing
- Calibration uncertainty: ±10%
- Minimum sensor pitch: 150mm
- Units of measure: mW/cm²
- Filtered compressed air purging prevents dirt and dust ingress
- Easily removable optical assembly allows supplementary cleaning if required
- Available on E2C, E2C HP and NUVA2 UV systems with RHINO power supply



Options

- Spectral ranges: UVC or UV broadband
- Multiple sensors per lamp: 1 recommended; up to 5 permitted
- Positioning of sensors: any position across lamp width; centre of lamp recommended
- Recalibration minimum once per year recommended



GEW mUVm-UK/V4

Head office

GEW (EC) Limited, Crompton Way, Crawley RH10 9QR, UK

UK +44 1737 824 500 Germany +49 7022 303 9769 USA +1 440 237 4439
 E sales@gewuv.com W gewuv.com

